

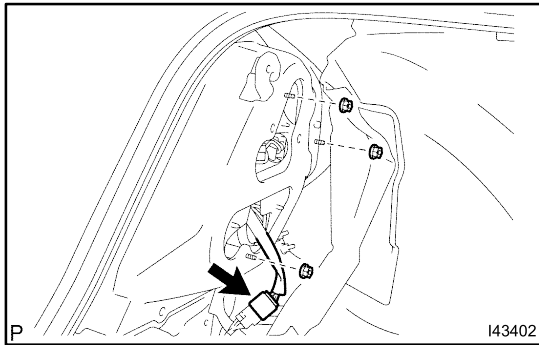
REAR COMBINATION LAMP ASSY LH

OVERHAUL

651AR-01

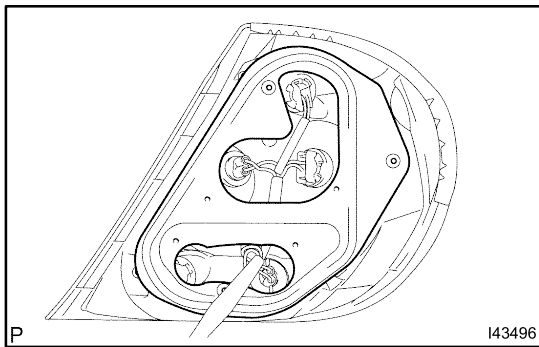
HINT:

- Use the same procedures for the RH side and LH side.
 - The procedures listed below are for the LH side.
 - Installation is in the reverse order of removal.
1. **REMOVE LUGGAGE COMPARTMENT TRIM HOOK NO.1 (SEE PAGE 76-8)**
 2. **REMOVE REAR FLOOR FINISH PLATE (SEE PAGE 76-8)**

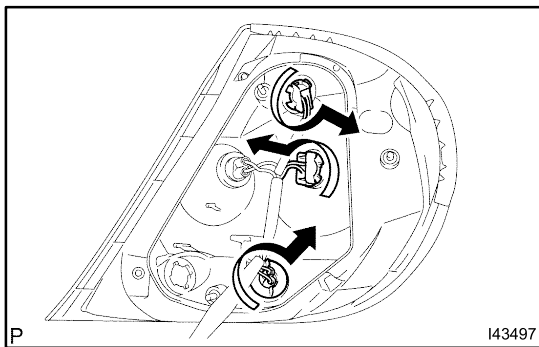


3. REMOVE REAR COMBINATION LAMP ASSY LH

- (a) Disconnect the connector.
- (b) Remove the 3 nuts and the rear combination lamp assy LH.

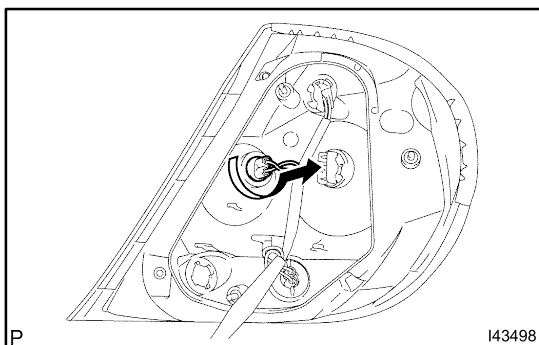


- (c) Remove the rear combination lamp gasket RH.



4. REMOVE REAR COMBINATION LAMP BULB

- (a) Turn in the direction indicated by the arrow and remove the 3 rear combination lamp socket & wire sub-assy RHs and the 3 rear combination lamp bulbs as a unit.
- (b) Remove the 3 rear combination lamp bulbs from the 3 rear combination lamp socket & wire sub-assy RHs.



5. REMOVE REAR COMBINATION LAMP BULB

- (a) Turn in the direction indicated by the arrow and remove the rear combination lamp socket & wire sub-assy RH and the rear combination lamp bulb as a unit.
- (b) Remove the rear combination lamp bulb from the rear combination lamp socket & wire sub-assy RH.