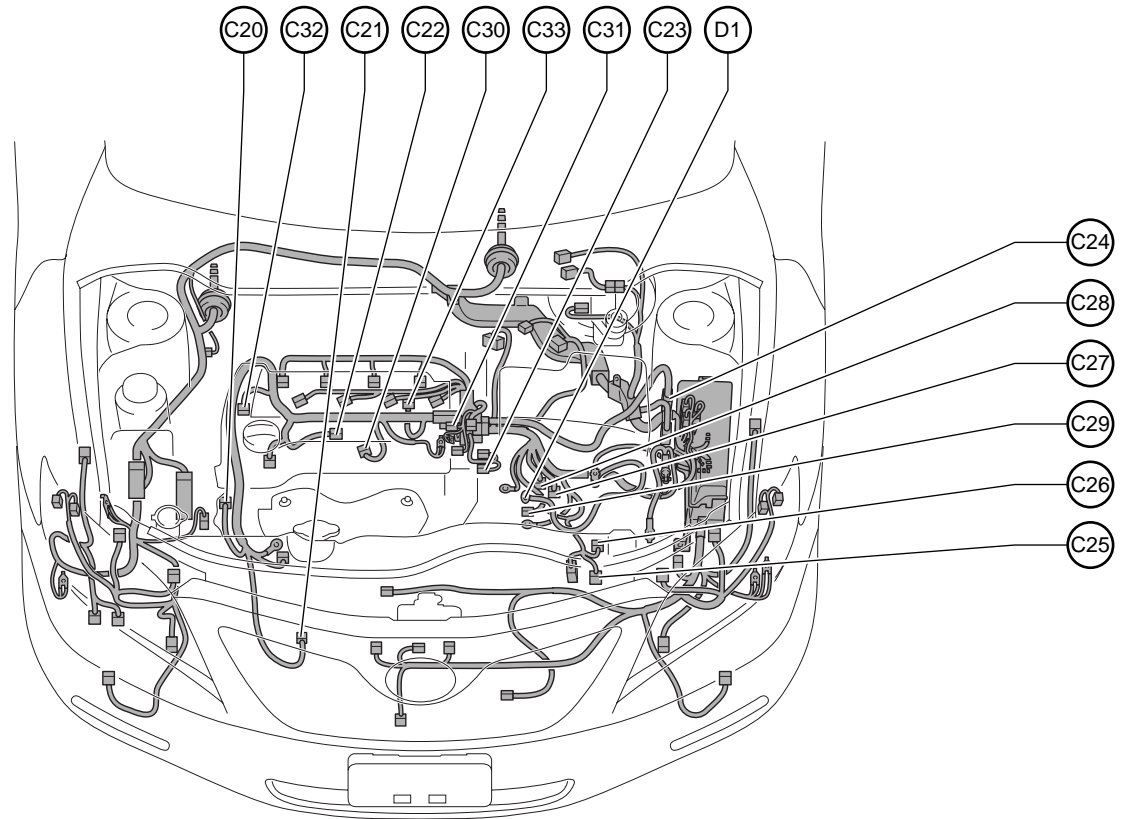


Position of Parts in Engine Compartment

[2AZ-FE]



- C20 Crankshaft Position Sensor
- C21 A/C Compressor
- C22 Heated Oxygen Sensor (Bank 1 Sensor 2)
- C23 Engine Oil Pressure SW
- C24 Engine Control Module
- C25 Electronically Controlled Transmission Solenoid
- C26 Transmission Revolution Sensor (Turbine)
- C27 Transmission Revolution Sensor (Counter Gear)
- C28 Back-Up Lamp SW
- C29 Starter
- C30 Knock Control Sensor (Bank 1)
- C31 Camshaft Position Sensor
- C32 Camshaft Timing Oil Control Valve
- C33 Intake Air Control Valve

D 1 Starter