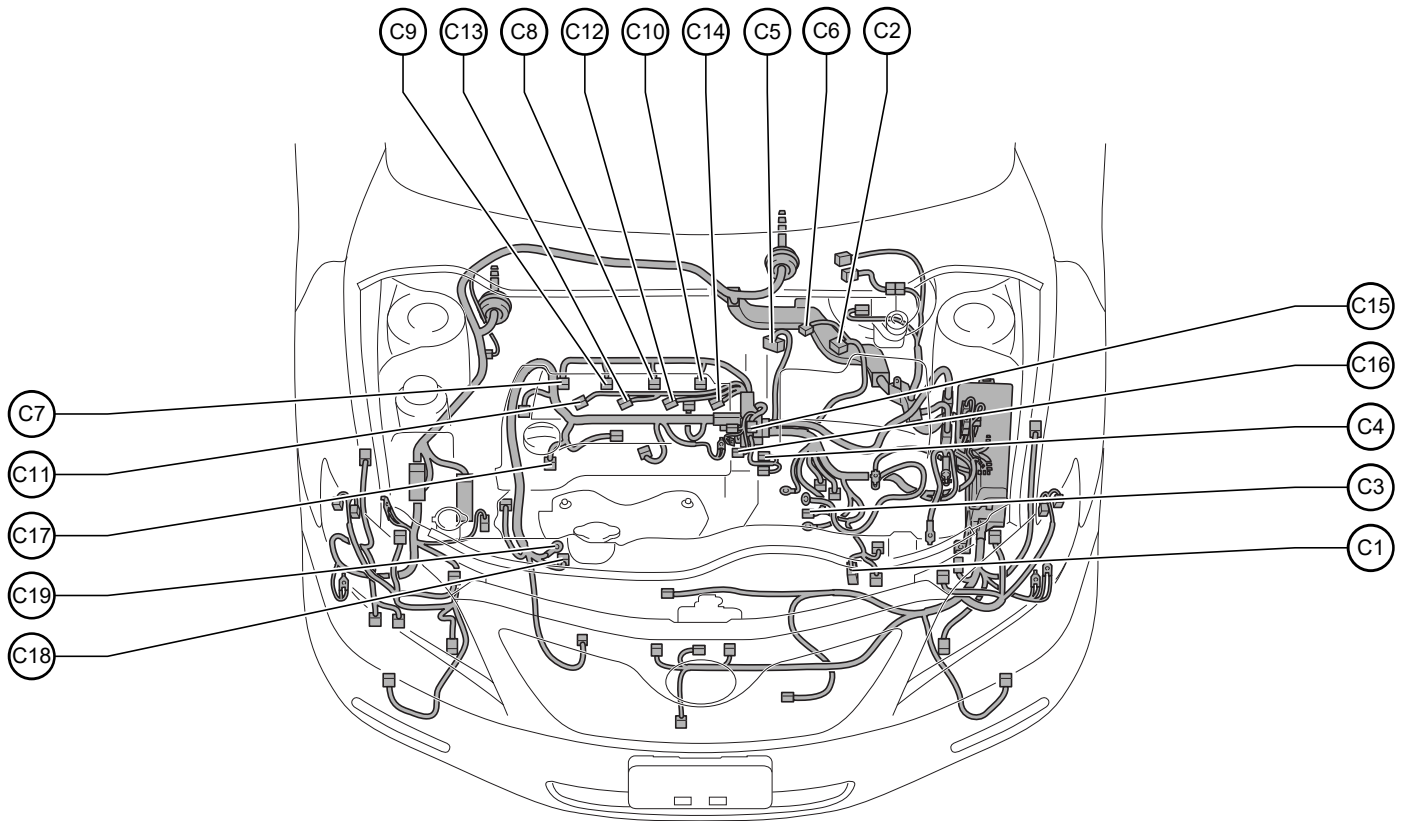


G ELECTRICAL WIRING ROUTING

Position of Parts in Engine Compartment

[2AZ-FE]



- C 1 Park/Neutral Position SW
- C 2 Mass Air Flow Meter
- C 3 Starter
- C 4 Engine Coolant Temp. Sensor
- C 5 Throttle Body Assembly
- C 6 VSV (Purge)
- C 7 Fuel Injector (No.1)
- C 8 Fuel Injector (No.3)
- C 9 Fuel Injector (No.2)
- C 10 Fuel Injector (No.4)

- C 11 Ignition Coil (No.1)
- C 12 Ignition Coil (No.3)
- C 13 Ignition Coil (No.2)
- C 14 Ignition Coil (No.4)
- C 15 Air Fuel Ratio Sensor (Bank 1 Sensor 1)
- C 16 Noise Filter (Ignition RH)
- C 17 Power Steering Oil Pressure SW
- C 18 Generator
- C 19 Generator